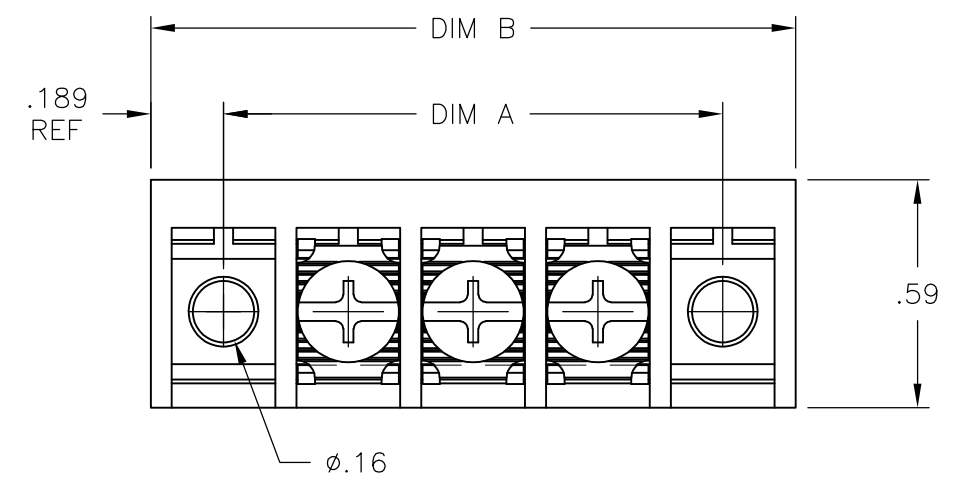


THIS DRAWING IS UNPUBLISHED. RELEASED FOR PUBLICATION  
 © COPYRIGHT BY TYCO ELECTRONICS CORPORATION. ALL RIGHTS RESERVED.

LOC	DIST	REVISIONS				
P	LTR	DESCRIPTION	DATE	DWN	APVD	
FT	0	A	-	10/30/07	SS CW	
		A1	REVISED PER ECO-09-024927	10NOV09	KK AEG	

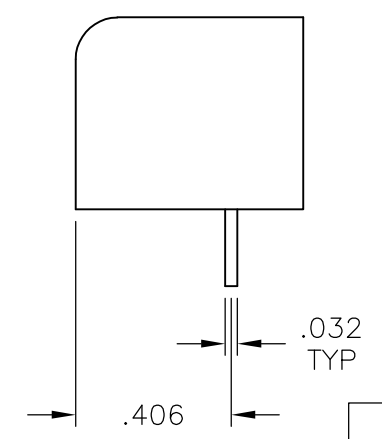
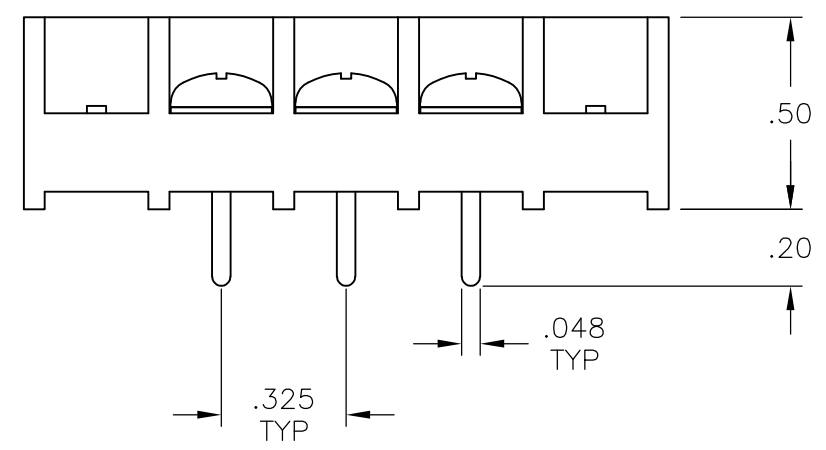


MATERIALS:  
 HOUSING: POLYPROPYLENE, COLOR: BLACK.  
 TERMINALS: TIN PLATED, BRASS.  
 SCREWS: ZINC PLATED, STEEL.

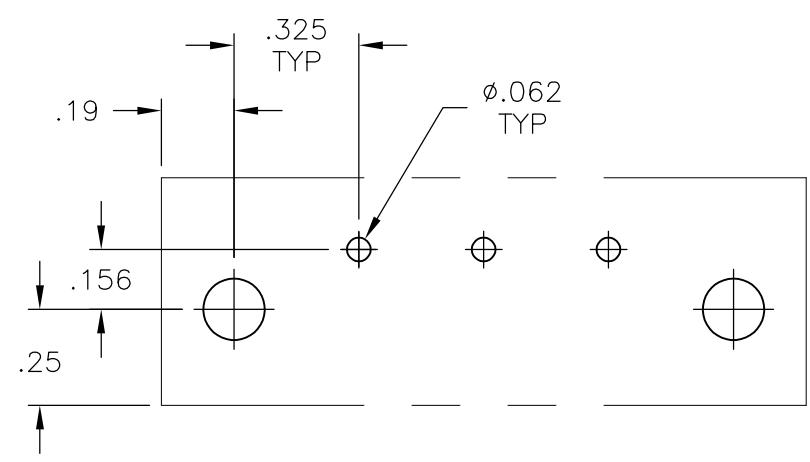
ELECTRICAL:  
 MAXIMUM CURRENT: 15A  
 OPERATING VOLTAGE: 300V  
 WIRE RANGE: 14-26 AWG

ENVIRONMENT:  
 OPERATING TEMP.: -60°C TO +105°C

1 OBSOLETE PARTS: OBSOLETE CIS STREAMLINING PER D.RENAUD/D.SINISI



DIM B	DIM A	NO OF POS	PART NUMBER	PART NUMBER
5.254	4.875	14	RSB3VP141201	4-1437404-1
4.604	4.225	12	RSB3VP121201	3-1437404-7
3.954	3.575	10	RSB3VP101201	3-1437404-2
2.979	2.600	7	RSB3VP071201	2-1437404-7
2.654	2.275	6	RSB3VP061201	2-1437404-5
2.329	1.950	5	RSB3VP051201	2-1437404-2
2.004	1.625	4	RSB3VP041201	2-1437404-0
1.679	1.300	3	RSB3VP031201	1-1437404-8
1.354	.975	2	RSB3VP021201	1-1437404-5



RECOMMENDED PCB LAYOUT

THIS DRAWING IS A CONTROLLED DOCUMENT.		DWN S SCHLEGEL 30OCT2007	Tyco Electronics Corporation Harrisburg, PA 17105-3608	
DIMENSIONS: INCHES	TOLERANCES UNLESS OTHERWISE SPECIFIED:	CHK C WARNER 10/30/07	NAME RSB3VPXX1201 ASSEMBLY	
	0 PLC ± -	APVD C WARNER 10/30/07	SIZE A3	CAGE CODE 00779
	1 PLC ± -	PRODUCT SPEC -	DRAWING NO C-1-1437404-5	RESTRICTED TO -
	2 PLC ± -	APPLICATION SPEC -	SCALE NTS	SHEET 1 OF 1
	3 PLC ± -	WEIGHT -	REV A1	
	4 PLC ± -	CUSTOMER DRAWING		
	ANGLES ± -			
MATERIAL -	FINISH -			